

The VM20 valve is an in-line 1/8 BSP Ported 5/2 valve. Having a Ball operated, spring return function, the VM20 valve is interchangeable with the Capsula 1/8 valves.



TECHNICAL SPECIFICATIONS

General

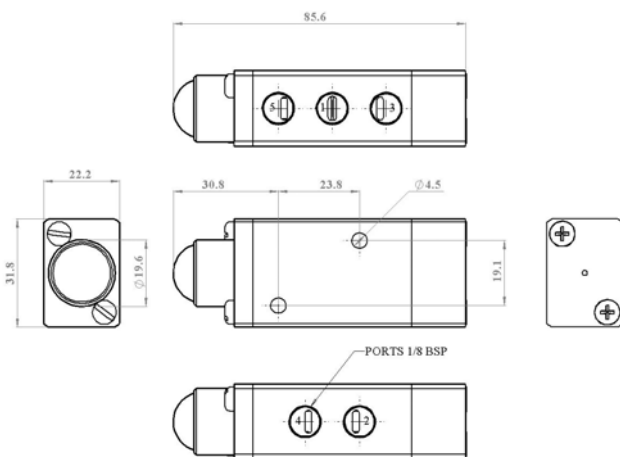
Maximum Pressure
Flow to Atmosphere
Permissible Mediums
Ambient Temperature Range

0 - 8 Bar
450l/min at 7 Bar
Air, inert gas, vacuumj
Nitrile Seals: -10 - +50°C
Viton Seals: 0 - +110°C

MATERIALS

Housing
End Caps
Spool

Anodised Aluminium
Anodised Aluminium
Aluminium



PRODUCT ORDERING CODE

VM20—4007—00—00V

PRODUCT FAMILY

VM20 - Capsula 1/8" Valve

ACTUATORS (SELECT BOTH ENDS)

07 - Spring
40 - Ball

VOLTAGE - SOLENOID

NO VOLTAGE

SEALS

000 - Nitrile
00V - Viton

SEP12

